

This power unit has a double acting circuit with SAE#6 (9/16-18) A & B ports. 3 position/4 way manual modular valve (D03) without integrated micro switch, that can be combined with other modular options such as piloted check valves, flow control or even port pressure relief (See accessories catalogue). This circuit design utilize a cartridge check and adjustable relief valve. The gear pump is equipped with a suction screen attached to a 90° elbow inside the tank which comes with a 3/4" NPT breather/dipstick.

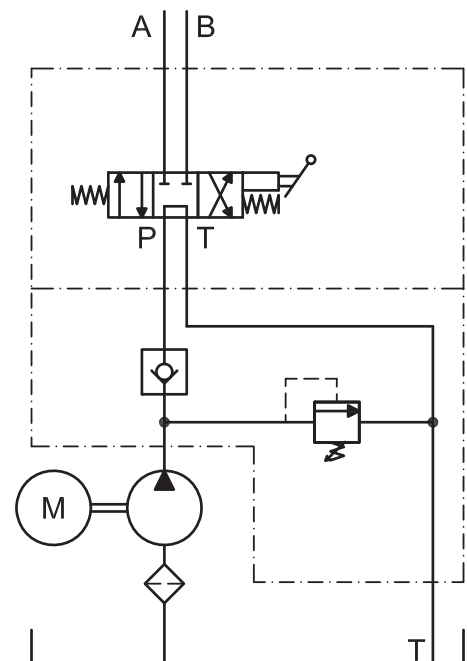
OPTIONS:

- ▶ **Motor:** DC 12 & 24v, or AC 115/230V, single phase or AC 230/460/575V three phase
- ▶ **Tank:** From 1.7 liters to 23.5 liters. Plastic or Steel
- ▶ **Pump:** 0.8, 1.0, 1.3, 1.6, 2.1, 2.5, 3.2, 4.2, 5.8 and 8.0cc
- ▶ **Mounting:** Vertical or Horizontal

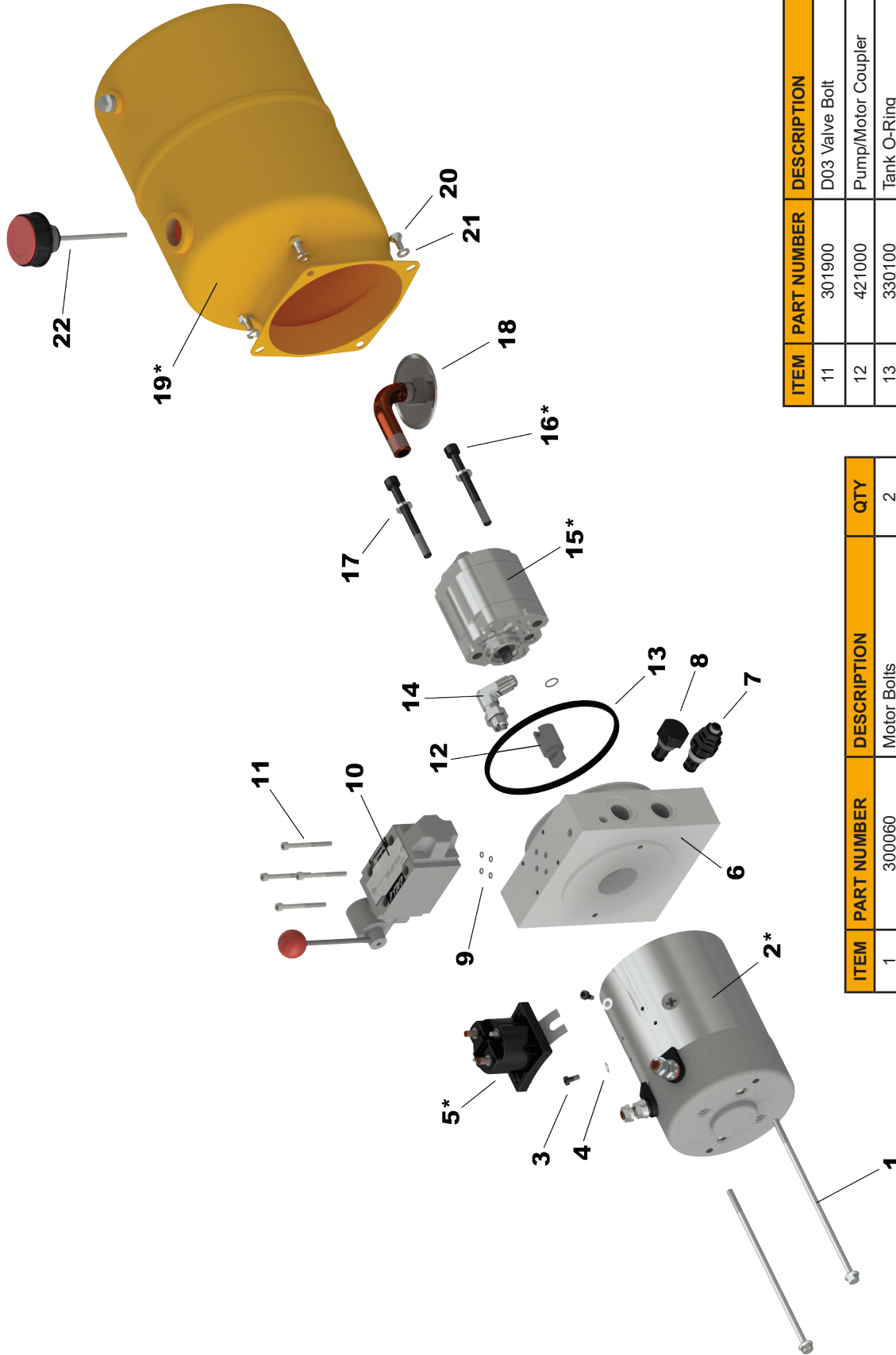


TYPICAL APPLICATION:

- ▶ Power Up / Power Down System
- ▶ Compactor
- ▶ Presses



EXPLODED VIEW



ITEM	PART NUMBER	DESCRIPTION	QTY
1	300060	Motor Bolts	2
2	600xxx*	Motor*	1
3	300010	Solenoid Bolt	2
4	307000	Solenoid Washer	2
5	640xxx*	Solenoid*	1
6	210050	Block	1
7	111000	Relief Valve	1
8	110100	Checkvalve	1
9	330110	Valve O-Ring	4
10	122010	D03 Manual Valve	1

* items such as motor, pump, pump bolts, coils, solenoid and tank have different ordering part numbers depending on option purchased originally. Always specify model number and serial number when ordering power unit parts

ITEM	PART NUMBER	DESCRIPTION	QTY
11	301900	D03 Valve Bolt	4
12	421000	Pump/Motor Coupler	1
13	330100	Tank O-Ring	1
14	310020	Block Elbow 90°	1
15	400xxx*	Pump*	1
16	301xxx*	Pump Bolt*	2
17	307080	Lockwasher (Pump Bolt)	2
18	150012	Screen Filter Suction Elbow	1
19	500xxx*	Tank	1
20	300030	Tank Bolt	4
21	307050	Lockwasher (Tank Bolt)	4
22	520030	Breather	1

MODEL 15

All product specifications are subject to change without prior notice.

WWW.EAGLE-HYDRAULIC.COM